

CUTTING & NOTCHING

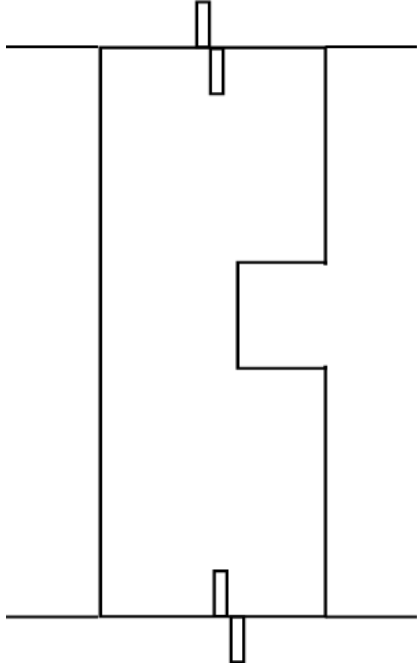


FIGURE 1
40% ALLOWED NONBEARING

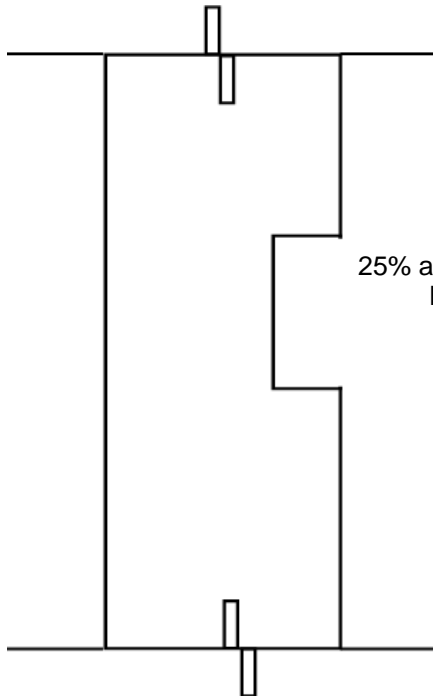


FIGURE 2
25% allowed exterior and bearing walls

Cutting and Notching – In exterior walls and bearing partitions, any wood stud may be cut or notched to a depth not exceeding 25 percent of its width. Cutting or notching of studs to a depth not greater than 40 percent of the width of the stud is permitted in nonbearing partitions supporting the weight of the partition.

9. Bored Holes – A hole not greater in diameter than 40 percent of the stud width be bored in any wood stud. Bored holes not greater than 60 percent of the width of the stud are permitted in nonbearing partitions or in any wall where each bored studs are so bored.

In no case shall the edge of the bored hole nearer than $\frac{5}{8}$ inch to the edge of the stud. Bored holes shall be located at the same section of stud as a cut or notch.

CBC - 2308.9.10, 2308.9.11, 2308.10.4.2. CRC – Steel Joist R505.2.5, R505.3.5, R804.2.5, R804.3.4, R603.2.5, R603.3.4; Wood Joist R502.8, R802.7.1; Wood Studs R602.6

BORED HOLES

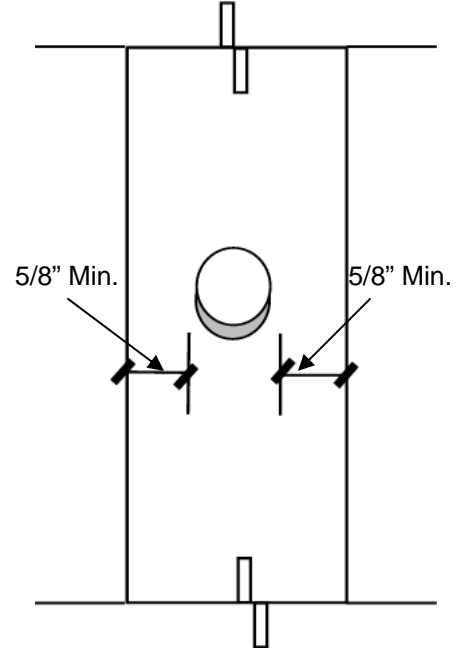


FIGURE 3
40% ALLOWED ANY WALL
(See Exception Below)

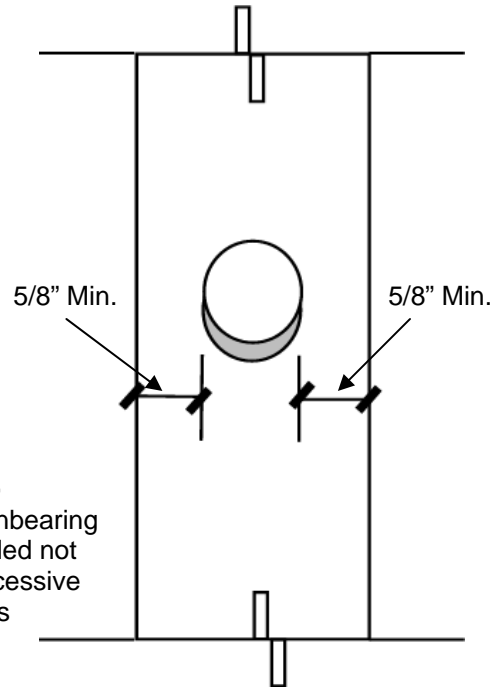


FIGURE 4
60% allowed any nonbearing wall or bored doubled not more than two successive doubled studs

SIZE	STUD WIDTH		NOTCHING		BORING	
	NOMINAL	ACTUAL	BEARING	NONBEARING	BEARING	NONBEARING
2X4	4"	3-1/2"	25% $\frac{7}{8}$ "	40% $1-\frac{7}{16}$ "	40% $1-\frac{7}{16}$ "	60% $2-\frac{1}{8}$ "
2X6	6"	5-1/2"	$1-\frac{3}{8}$ "	$2-\frac{3}{16}$ "	$2-\frac{3}{16}$ "	$3-\frac{5}{16}$ "
2X8	8"	7-1/4"	$1-\frac{13}{16}$ "	$2-\frac{3}{8}$ "	$2-\frac{3}{8}$ "	$4-\frac{3}{8}$ "

